

Entrust nShield® Connect Power Supply Unit

The nShield Connect is fitted with dual PSUs. If a PSU fails, the orange warning LED comes on and an onscreen error message is displayed. Although you are advised to contact Support, the unit can continue to operate normally and you can replace the failed PSU at your convenience. There is no need to power down the unit when you replace the failed PSU.

Note: In addition to the orange warning LED, an audible warning is given when a PSU fails on an nShield Connect. The audible warning is turned off when you navigate to the Critical errors screen.

Note: We guarantee a minimum battery life of up to three years for the nShield Connect, even if it is never connected to mains power during this time.

Replacing the PSU

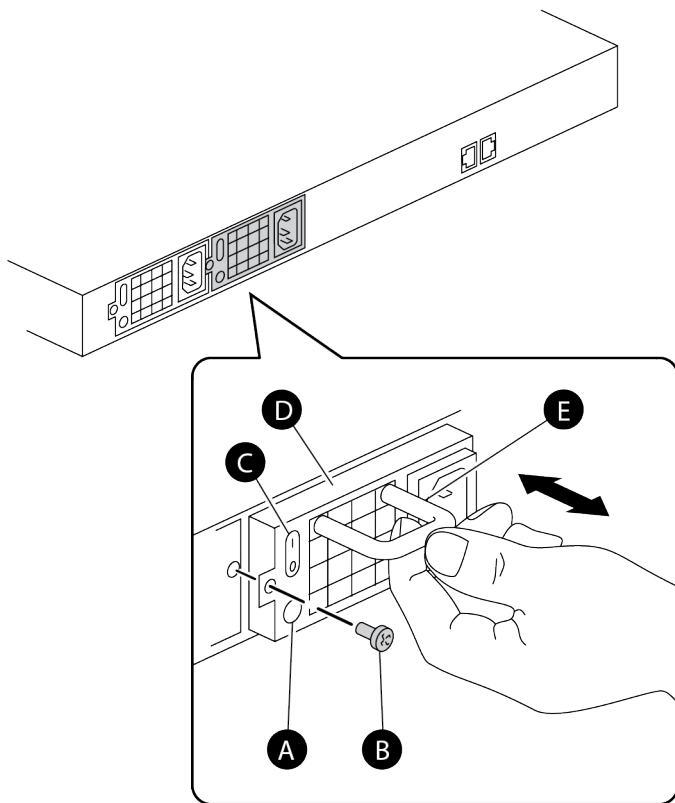
Figure 1 shows an example PSU replacement operation on the right-hand PSU in an nShield Connect. You can perform the PSU replacement operation on any PSU.

To replace the PSU:

1. There is an audible warning and an onscreen message states that a PSU has failed.
To identify the failed PSU:
 - a. Go to the rear of the unit where the PSUs are located.
 - b. Check the green LED on each of the PSUs. If the LED is off, check that the rocker switch on the PSU has not been turned to the off position.
 - c. If the LED remains off, even after the rocker switch has been turned to the on position, you must replace the PSU.
2. Remove the mains cable from the failed PSU. Using a Pozidrive No.1 screwdriver, remove the retaining screw from the failed PSU. Retain the screw.
3. Remove the failed PSU. See Figure 1.
4. Install the replacement PSU. Ensure that the PSU is:
 - Correctly orientated. The green LED should be on the bottom left of the PSU.
 - Correctly seated in the chassis.
5. Replace the retaining screw retained in Step 2 and tighten securely using the Pozidrive No.1 screwdriver. Reconnect the mains cable and turn the PSU rocker switch to the on position.

6. Check that the green LED for the replacement PSU is on and that the display screen no longer indicates PSU failure.

Figure 1. Replacing the PSU



Key	Description
A	Green LED
B	Retaining screw (M3 x 6mm). Remove and replace using a Pozidrive No.1 screwdriver
C	Rocker switch (to turn the PSU on and off)
D	PSU
E	Handle for pulling the PSU out of the chassis